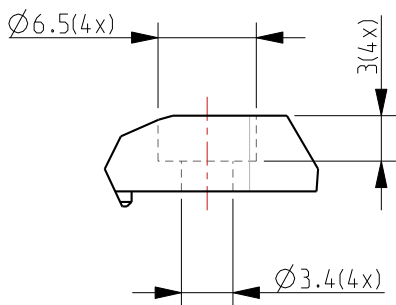
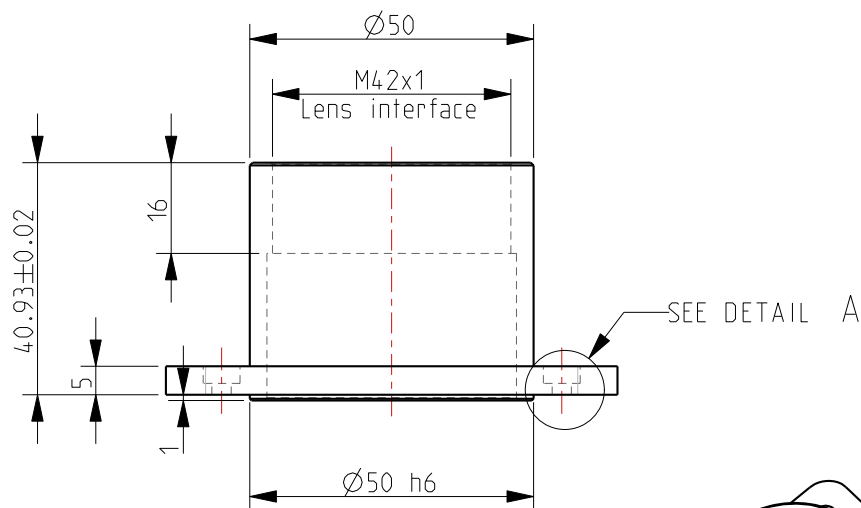
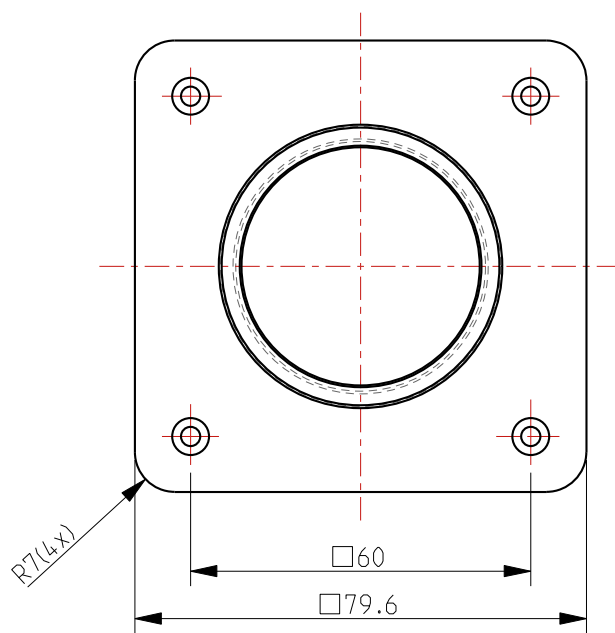
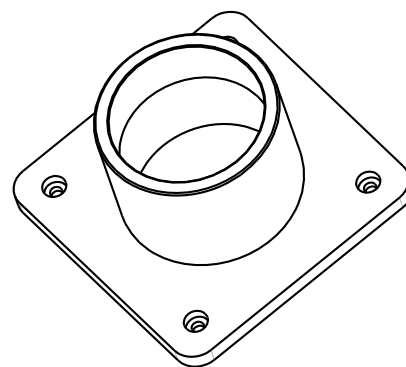


CONFIDENTIAL



DETAIL A
SCALE 2.000



SCALE 0.500

Use 3D STEP-file for dimensions that are not shown on this drawing
See tolerance for general deviation from nominal 3D STEP-file

Drawn by M.Aarts	Sign	Reviewer	Date	Sign	Reviewer	Date	Sign	PM -	Date	Sign	
Project ME1	Number 191530-110-20160217				Draft date						
Title LENSMOUNT-M42-60-FIXED		Tolerance unless otherwise specified Dim. ± 0.1 Angle $\pm 1^\circ$ Radi ± 0.3				Shape & position tolerances according to n.a.					
		Material Aluminium				Roughness according to n.a.					
Company Adimec		Treatment Optical matt black				Units unless otherwise specified mm		Scale 0.750			
						Projection 		Size A4			



This sheet is property of ADIMEC. Reproduction, utilization or disclosure to third parties in any form whatsoever is not allowed without written consent of the proprietors



LENSMOUNT-M42-60-FIXED
LENSMOUNT-M42-60-FIXED
AIS-A3-P-SKT Revision 1.0



CONFIDENTIAL INFORMATION
Copyright ADIMEC Advanced Image Systems B.V.

