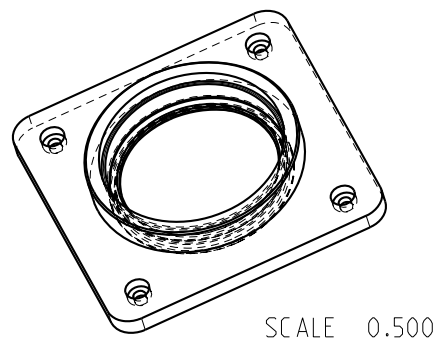
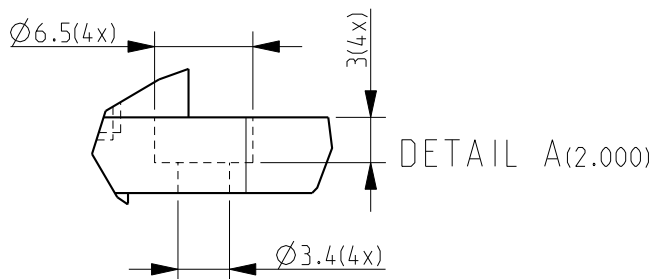
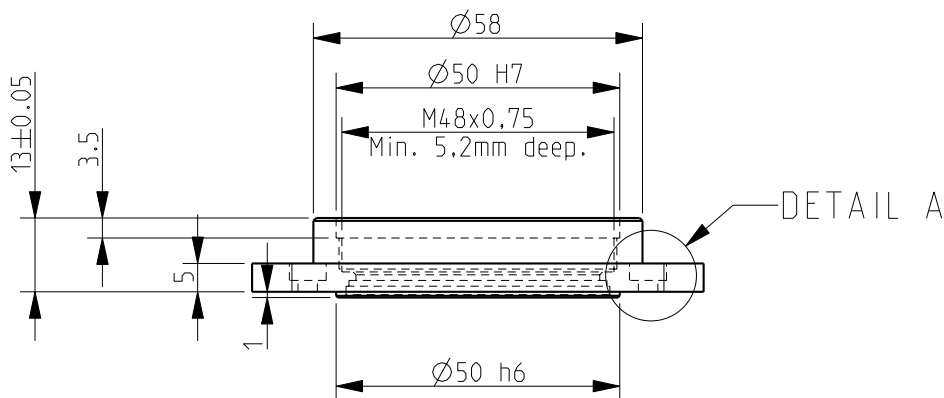
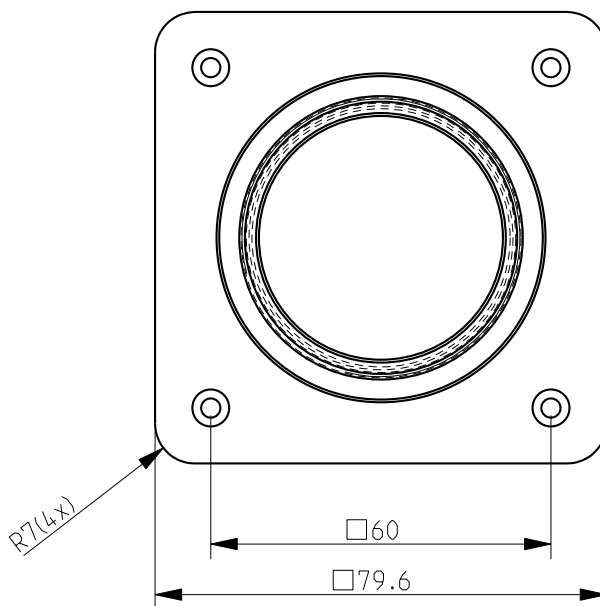


CONFIDENTIAL



Use 3D STEP-file for dimensions that are not shown on this drawing.  
See tolerance for general deviation from nominal 3D STEP-file

Drawn by <b>M.Aarts</b>	Sign	Reviewer	Date	Sign	Reviewer	Date	Sign	PM -	Date	Sign
Project <b>ME1</b>	Number <b>188230-110-20161104</b>					Draft date				
Title <b>LENSMOUNT-TFL2-FIXED</b> Outline drawing		Tolerance unless otherwise specified Dim. $\pm 0.1$ Angle $\pm 1^\circ$ Radi $\pm 0.3$			Shape & position tolerances according to <b>n.a.</b>					
		Material <b>Aluminium</b>			Roughness according to <b>n.a.</b>					
Company <b>Adimec</b>		Treatment <b>Optical matt black</b>			Units unless otherwise specified <b>mm</b>			Scale <b>0.750</b>		
					Projection 			Size <b>A4</b>		



This sheet is property of ADIMEC. Reproduction, utilization or disclosure to third parties in any form whatsoever is not allowed without written consent of the proprietors



LENSMOUNT-TFL2-SKT Revision 1.0

AIS-A3-P-SKT Revision 1.0



CONFIDENTIAL INFORMATION  
Copyright ADIMEC Advanced Image Systems B.V.

