



**Basler**

## **Technical Specification**

**Tripod mount for Basler pilot**

**Order Number 2000023896**

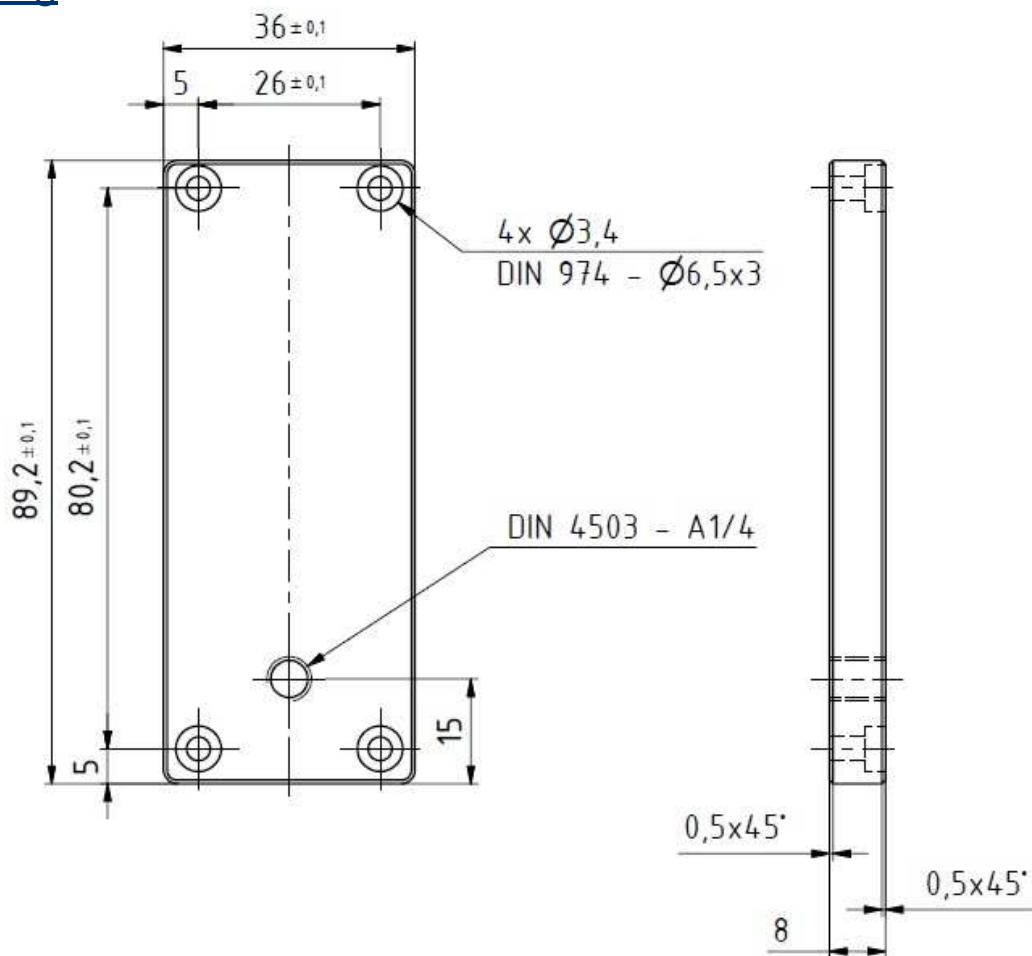
**Basler AG**

**An der Strusbek 60-62**

**22926 Ahrensburg, Germany**



## Drawing



Aufnahme für die Oberflächenbehandlung in den Bohrungen  
Holder for surface treatment in the holes

Oberfläche: anodisch oxidiert DIN 17611-E6-KI.20  
Surface: anodically oxidized DIN 17611-E6-KI.20

Farbe: EV6 (Schwarz)  
Colour: EV6 (black)

Kratzer und riefenfrei  
scratch free and corrugations free

## **Contacting Basler Support Worldwide**

### **Europe:**

Basler AG  
An der Strusbek 60 - 62  
22926 Ahrensburg  
Germany

Tel.: +49-4102-463-500  
Fax.: +49-4102-463-599

[bc.support.europe@baslerweb.com](mailto:bc.support.europe@baslerweb.com)

### **Americas:**

Basler, Inc.  
855 Springdale Drive, Suite 160  
Exton, PA 19341  
U.S.A.

Tel.: +1-877-934-8472  
Fax.: +1-610-280-7608

[bc.support.usa@baslerweb.com](mailto:bc.support.usa@baslerweb.com)

### **Asia:**

Basler Asia Pte. Ltd.  
8 Boon Lay Way  
# 03 - 03 Tradehub 21  
Singapore 609964

Tel.: +65-6425-0472  
Fax.: +65-6425-0473

[bc.support.asia@baslerweb.com](mailto:bc.support.asia@baslerweb.com)

[www.baslerweb.com](http://www.baslerweb.com)

**All material in this publication is subject to change without notice and is copyright Basler Vision Technologies.**