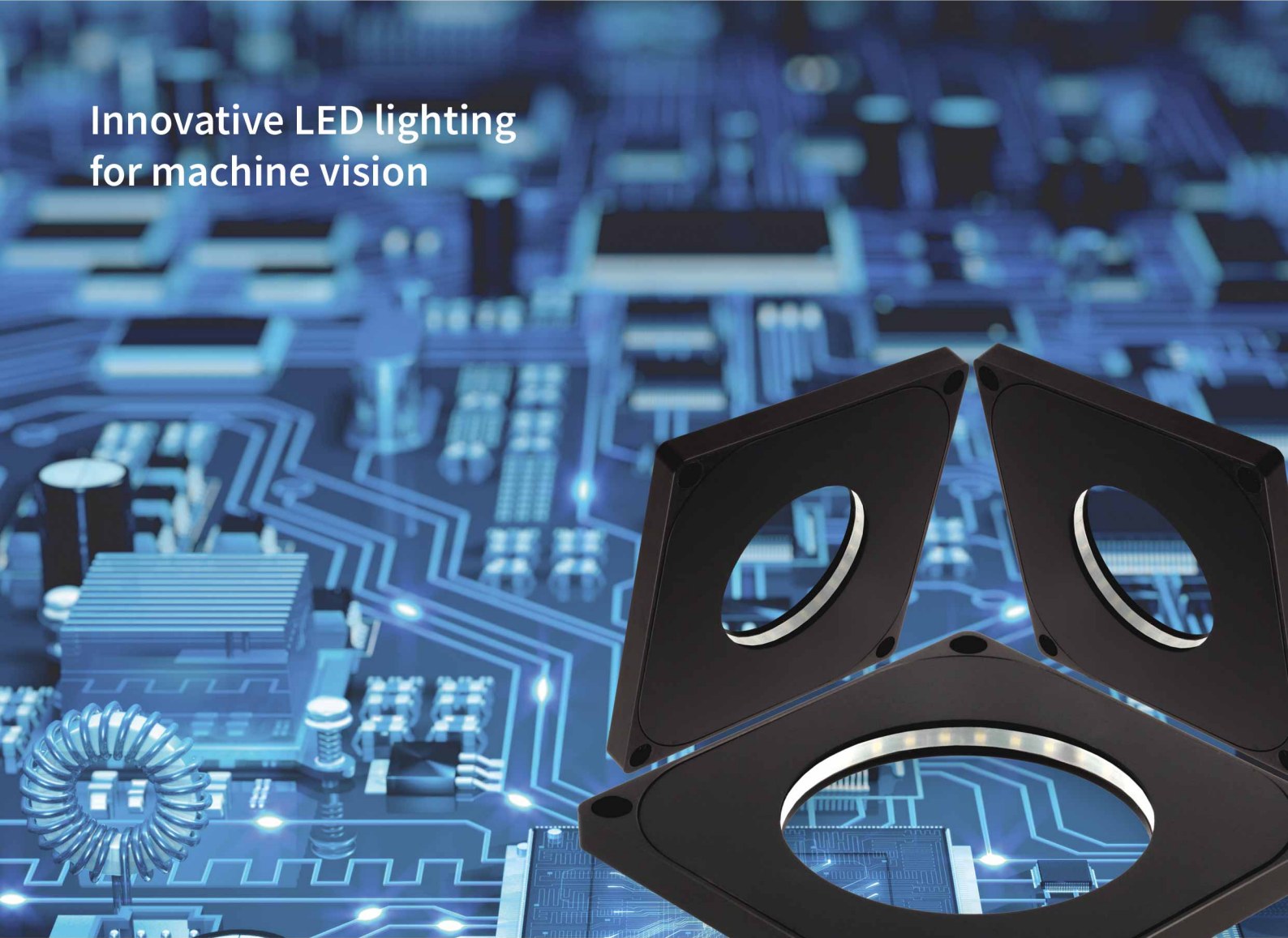


# Dark Field Lighting

## HDF Series

Innovative LED lighting  
for machine vision



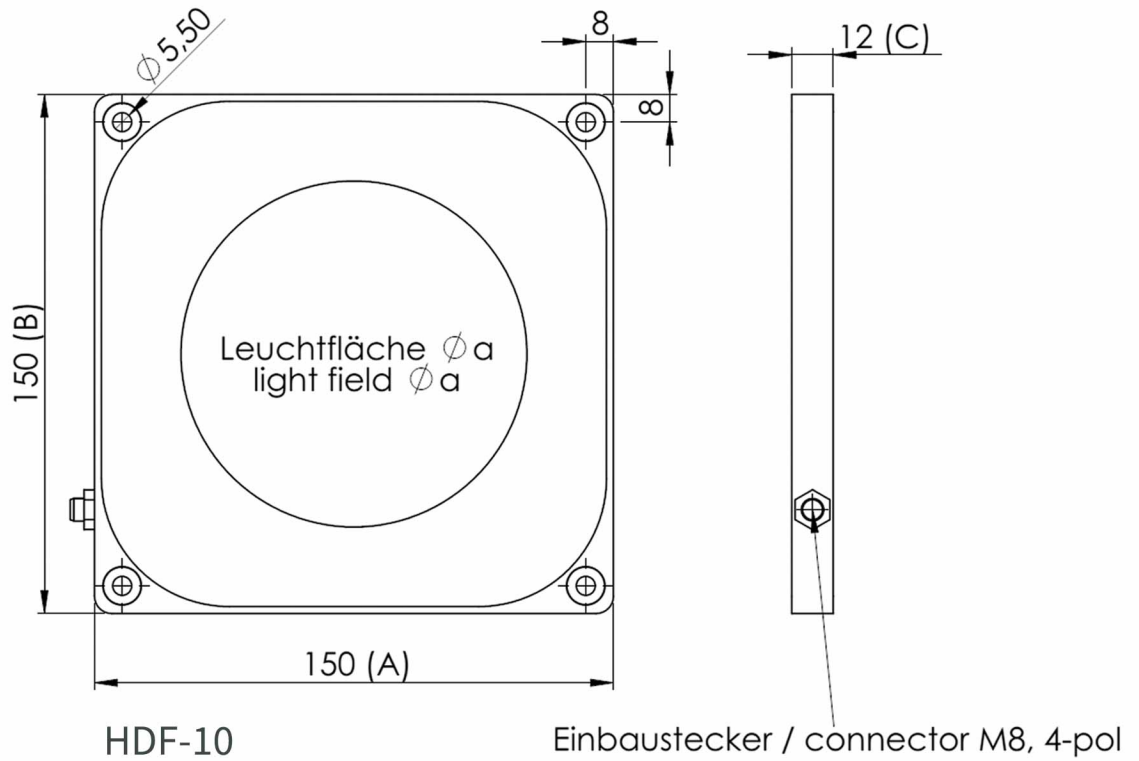
Horizontal side lights  
in various colors and diameters

- High light efficiency
- Save operation
- High Quality
- Cost-saving

The inspection object is illuminated by a circular horizontal light beam. This lighting is ideal to inspect objects in dark field such as materials with embossed or stamped surfaces. The new flexible controller concept allows an easy adaptation to different operation modes.

# Dark Field Lighting

## HDF-Series



Specification	
Type of lighting	Slight diffuse circular light beam
Peak wave length	Red (RD): ~ 625nm / White (WT): ~460nm and ~560nm
Supply voltage	24 V DC +/- 10%
Connection	M8 male connector with 4 pin
Operation conditions	Temperature -10° to 30°C, humidity 30% to 70%

HDF-Series 30.10.2018

Model <sup>1</sup>	Light diameter	Dimension	LED color <sup>1</sup>	Steady power	Price <sup>2</sup>
HDF-07	75 mm	150x150x12 mm	white and red	7.2 W	290 €
HDF-10	100 mm	150x150x12 mm	white and red	7.2 W	290 €

1) Other LED colors available    2) Price plus VAT, packaging and transportation costs

Operation Modes <sup>1</sup>	Mode description	Price <sup>2</sup>
( standard )	24V steady light, intergrated current source	+ 0 €
( -x )	External LED control only	- 20 €
( -i )	24V fast flash light, integrated voltage controller	+ 20 €
( -jb )	24V overdrive flash light and steady light with dimmer	+ 20 €
Features	Automatic current Rsense detection for ( standard ) an ( -x ) models	

1) Some models do not support all operations modes. Please refere to the manual    2) Adaptation to the models base price



MBJ Imaging GmbH  
Neuer Höltigbaum 15  
D-22143 Hamburg

Phone +49 40 22 6162 330  
Email info@mbj-imaging.com  
www.mbj-imaging.com