

# Just Bright Illumination

## JB Series



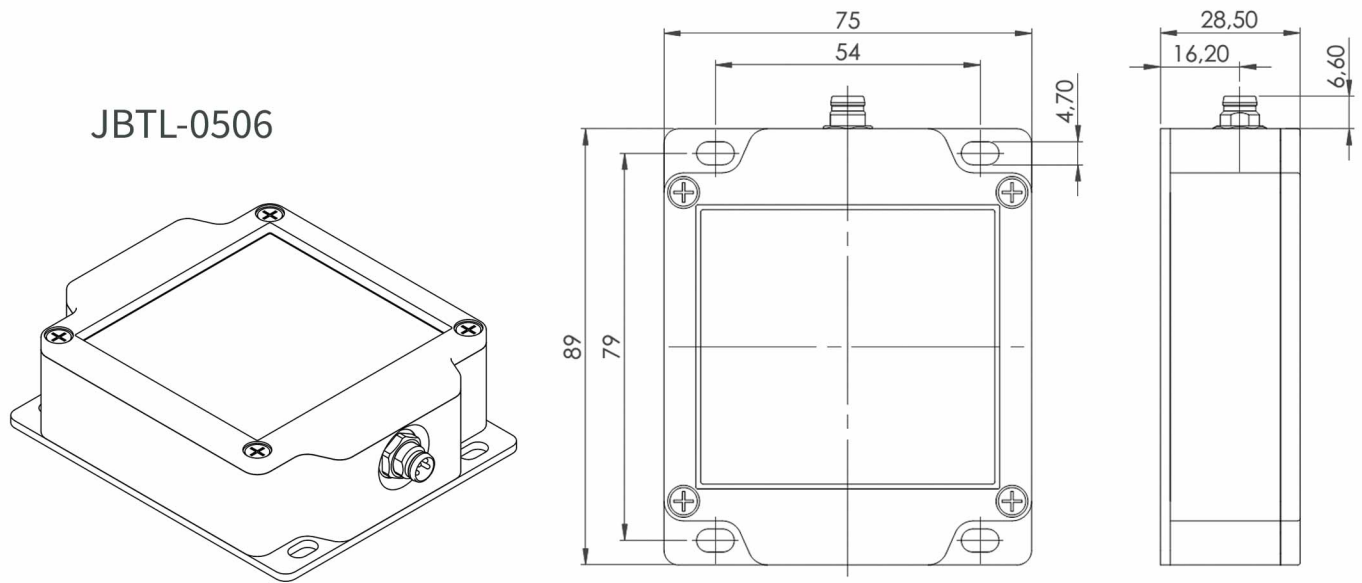
## Low cost LED lights with integrated flash controller in various dimensions

- Powerfull light
- Save operation
- Easy adaptation
- Cost saving

These lightings are made for manifold back light and bright field applications. The already integrated LED controller allows flash as well as steady light usage. Due to the use of the new 3D print technology in the manufacturing process the lights can be easily adapted to custom-made sizes.

# Just Bright Illumination

## JB Series



### Specification

Type of light	Incident light from above [JBTL] or diffuse incident light from below [JBBL]
Supply voltage	24 V DC +/- 10%
LED color <sup>1</sup>	White (WT) with approx. 5.000K
Operation modes	Flash and steady light with analog dimmer
Flash mode	Up to 4x overdrive for 20ms
Trigger-light latency	< 20µs
Dimmer	Analog 1V-10V; 1V = 10%; 10V = 100%
Connection	M8 male connector with 4 pin for 24 V, Trigger, GND, Dimmer
IP Rating	IP54
Operation conditions	Temperature -10° to 30°C, humidity 30% to 70%

1) Red, green and blue LED colors are available for model 0506

JB-Series 29.10.2018

Model <sup>1</sup>	Type	Light field	Dimension <sup>1</sup>	Steady power	Price <sup>2</sup>
JBTL/JBBL-0506	small spot light	56x60 mm	75x89x29 mm	6.0 W	99 €
JBTL/ JBBL-0808	medium spot light	80x80xmm	113x95x29 mm	9.3 W	149 €
JBTL/JBBL-1013	large spot light	106x135 mm	139x150x29 mm	12.0 W	199 €
JBTL/JBBL-0328	bar light	30x285 mm	64x300x29 mm	8.4 W	199 €
JBRL-10	ring light	d = 97 mm	110x110x29 mm	12.0 W	149 €

1) Custom-made solutions on request 2) Price plus VAT, packaging and transportation costs



MBJ Imaging GmbH  
Neuer Höltigbaum 15  
D-22143 Hamburg

Phone +49 22 6162 330  
Email info@mbj-imaging.com  
www.mbj-imaging.com