

Dome Lighting

SDL Series

Innovative LED lighting
for machine vision



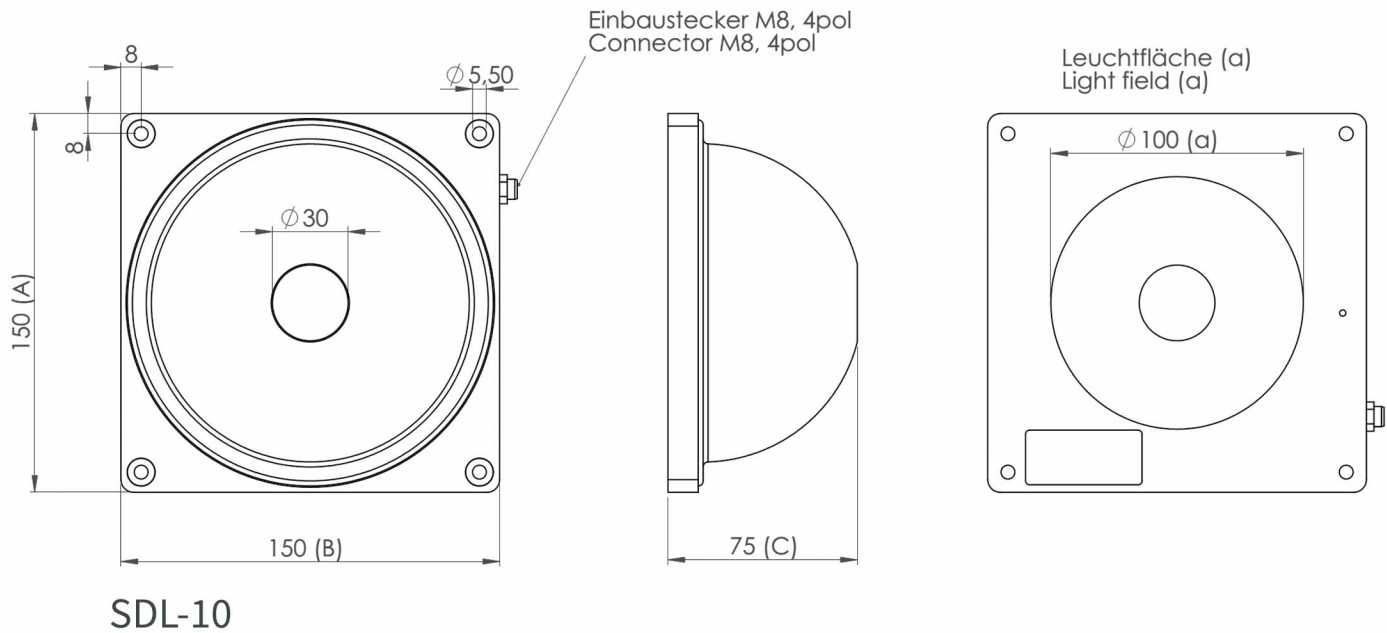
Homogeneous incident lighting in various diameters and colors

- ⇒ High light efficiency
- ⇒ Save operation
- ⇒ High Quality
- ⇒ Cost saving

The inspection object is illuminated indirectly by the light reflected from the inner dome, resulting in an almost shadowfree lighting. This is ideal to inspect objects with highly reflective surfaces. The new flexible controller concept allows an easy adaptation to different operation modes.

Dome Lighting

SDL Series



Specification

Type of lighting	Diffuse incident light from the inner dome surface
Peak wave length	Red (RD): ~ 625nm / White (WT): ~460nm and ~560nm
Supply voltage	24 V DC +/- 10%
Connection	M8 male connector with 4 pin
Operation conditions	Temperature -10° to 30°C, humidity 30% to 70%

SDL-Series 30.10.2018

Model ¹	Light diameter	Dimension	LED color ¹	Steady power	Price ²
SDL-05	50 mm	100x100x50 mm	white and red	7.2 W	260 €
SDL-10	100 mm	150x150x75 mm	white and red	9.6 W	360 €
SDL-20	200 mm	250x250x125 mm	white and red	24.0 W	560 €

1) Other colors on request 2) Price plus VAT, packaging and transportation costs

Operation Modes ¹	Mode description	Price ²
(standard)	24V steady light, intergrated current source	+ 0 €
(-x)	External LED control only	- 20 €
(-i)	24V fast flash light, integrated voltage controller / camera connector)	+ 20 € / 40 €
(-jb)	24V overdrive flash light and steady light with dimmer	+ 20 €
Features	Automatic current Rsense detection for (standard) an (-x) models	

1) Some models do not support all operations modes. Please refer to the manual 2) Adaptation to the models base price



MBJ Imaging GmbH
Neuer Höltigbaum 15
D-22143 Hamburg

Phone +49 40 22 6162 330
Email info@mbj-imaging.com
www.mbj-imaging.com